



PASS-THROUGH WAREWASHER AX-100

Pass-through glass- and dishwasher. Rack size 500 x 500 mm and door clearance 430 mm.



WARE WASHING
PASS-THROUGH WAREWASHERS



- ✓ Active Xperience: simple and intuitive use
- ✓ Dedicated cycles: selection of the ideal washing programme using icons.
- ✓ Electronic control panel with IP65 humidity protection.

You will never WASH ALONE

- ✓ Tech-Services: our team of technicians will help you so that your machine is always ready for use.
- ✓ Design Services: tell us what your needs are and we will advise you.
- ✓ 60 years of experience and know-how at your disposal.

INCLUDES

- ✓ Peristaltic detergent pump.
- ✓ Rinse aid pump.
- ✓ 1 glasses basket.
- ✓ 1 mixed basket (plates).
- ✓ 1 cutlery basket.

OPTIONAL

- Overflow drainage pump. Tank water renewal by the principle of density.

ACCESSORIES

- Tables for pass-through dishwashers
- Manual water softeners
- Automatic water softeners
- 500 x 500 mm baskets
- Inserts & supplements
- Central sorting tables
- Double connection central sorting table
- Prewashing tables for pass-through and rack conveyor dishwashers
- Connecting tables for pass-through dishwashers and rack conveyors
- Reverse osmosis devices OS-140

SPECIFICATIONS

Basket dimensions: 500 mm x 500 mm
Useful height: 430 mm

Cycles: 3
Cycle duration: 120 / 180 / 210"
Production baskets / hour: 30 / 24 / 17

- ✓ Boiler capacity: 8 l
- ✓ Wash tank capacity: 25 l
- ✓ Water consumption/cycle: 3 l

Loading

- ✓ Pump: 750 W / 1 Hp
- ✓ Tank: 2500 W
- ✓ Boiler: 6000 W
- ✓ Total loading: 6700 W

External dimensions (W x D x H)

- ✓ Width: 648 mm (Wide with handle: 725 mm)
- ✓ Depth: 756 mm (Bottom with handle: 835 mm)
- ✓ Height: 2000 mm / 1508 mm

Wash temperature: 65°C
Rinse temperature: 85°C
Net weight: 102 kg

Crated dimensions

760 x 860 x 1530 mm
Gross weight: 113 kg

SALES DESCRIPTION

Sani-Control: guaranteed disinfection.
Exclusive Hydroblade™ washing arms: maximum effectiveness.
3-stage filtering system.

Sani-Control guarantee

- ✓ GUARANTEED DISINFECTION in compliance with standard DIN 10534.
- ✓ THERMAL LOCK function: Ensures that rinsing will be carried out at the ideal temperature to disinfect the dishes.

New recessed bodywork

- ✓ Ergonomic design with rounded corners to prevent the accumulation of dirt and facilitate cleaning.
- ✓ Compact tank volume (50% water saving compared to the previous range).

Hydroblade™ washing arms

- ✓ Redesigned nozzles for greater washing performance.
- ✓ The “monoblock” design delivers durability and resistance to impacts.
- ✓ 30% savings in water consumption during rinsing compared to the previous range.

3-stage filter system: surface, tank and extraction

- ✓ Keeps the washing water in optimal conditions to maintain constant washing performance.

Designed to last

- ✓ “Flow” opening mechanism: allows the hood to be raised with less effort
- ✓ High load capacity 43 cm: suitable for GN 1/1 and Euronorm
- ✓ Stainless steel surface filters for greater stability and resistance during intensive use

Warewashing, made simple



product sheet
updated 14/02/2024



PASS-THROUGH WAREWASHER AX-100

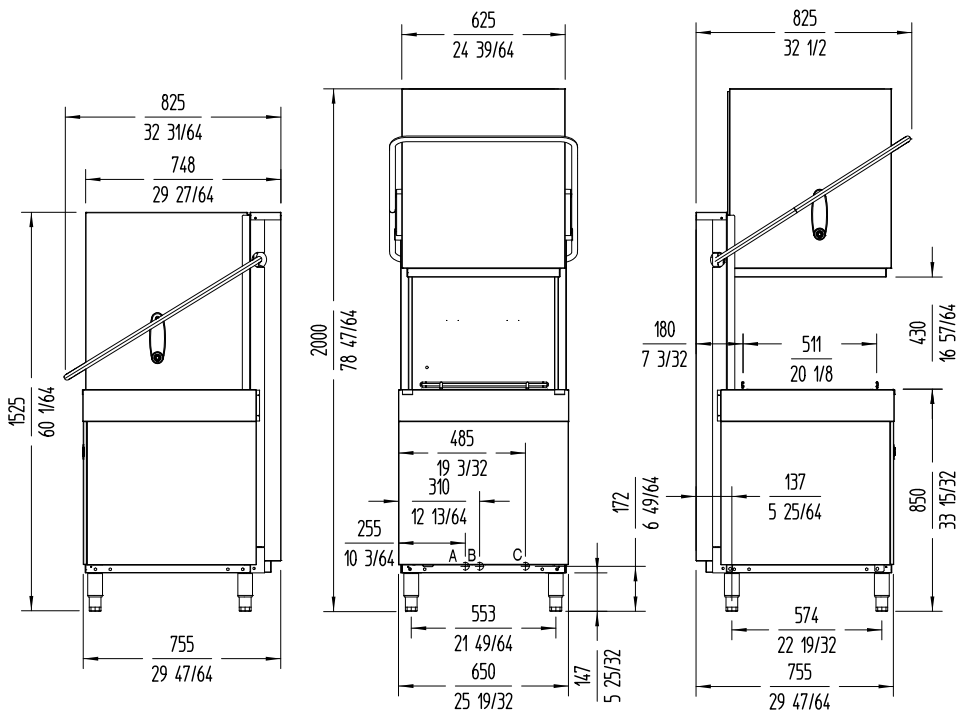
Pass-through glass- and dishwasher. Rack size 500 x 500 mm and door clearance 430 mm.



AVAILABLE MODELS

- 1303302 AX-100 230/50/1 DD
- 1303304 Dishwasher AX-100 220/60/3 DD
- 1303301 AX-100 400/50/3N DD
- 1303307 AX-100B 230/50/1 DD
- 1303306 AX-100B 400/50/3N DD
- 1303299 AX-100 220/60/1 DD

* Ask for special versions availability



A: Entrada de agua 3/4" GAS.
 B: Tubo de desague Ø30 mm.
 C: Cable conexión.

WARE WASHING
PASS-THROUGH WAREWASHERS



www.sammic.co.uk

Food Service Equipment Manufacturer

Unit 2, Trevanah Road
Troon Industrial Park
LE4 9LS - Leicester

uksales@sammic.com
Tel.: +44 0116 246 1900



Project

Date

Item

Qty

Approved

product sheet
updated 14/02/2024