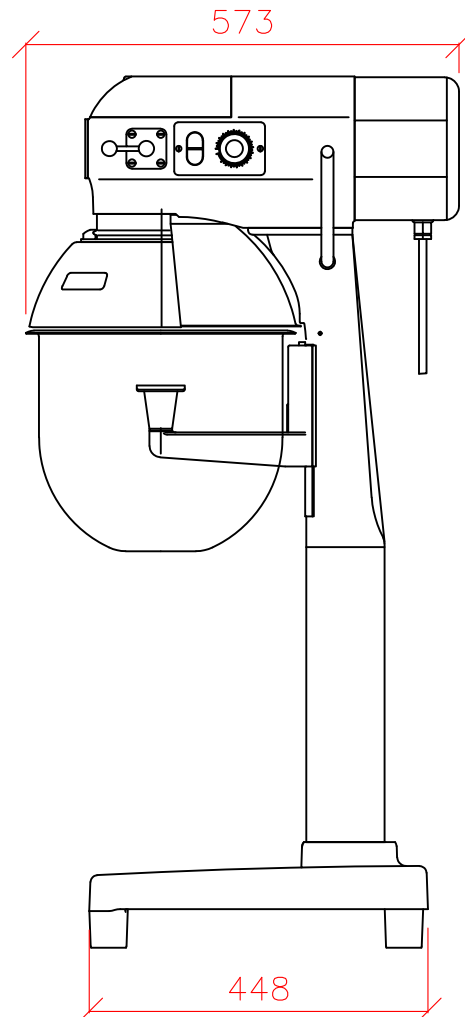
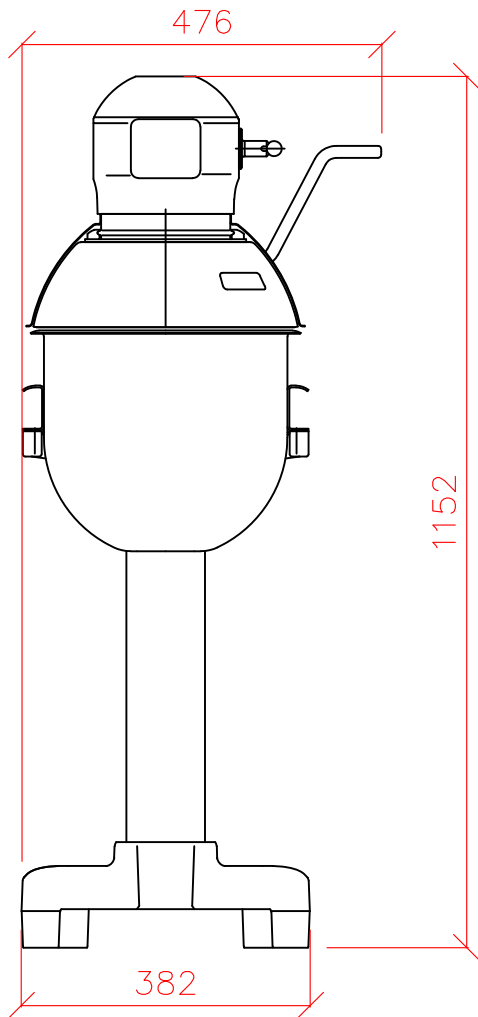
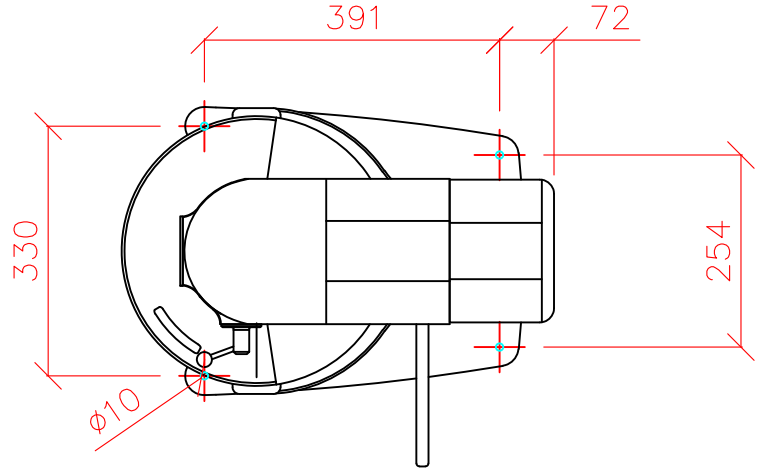


20 Litre Floor Standing Mixer

A200-F3E



1 Electric

400/50/3 0.45kW 3 Phase Supply