

700 SERIES MODULAR COOKING EQUIPMENT  
OPTIMUM RANGE

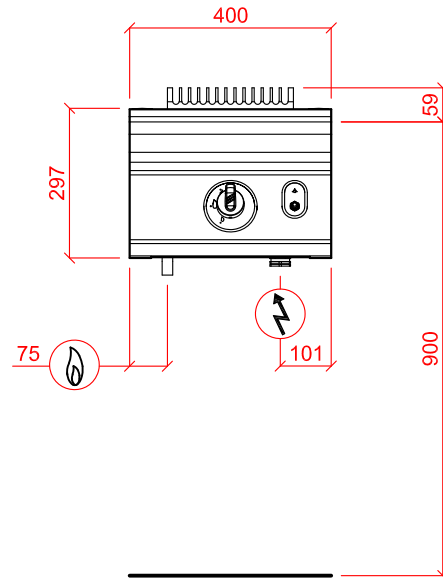
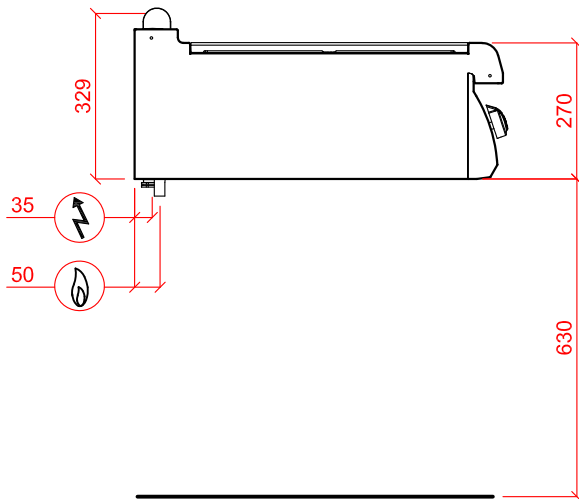
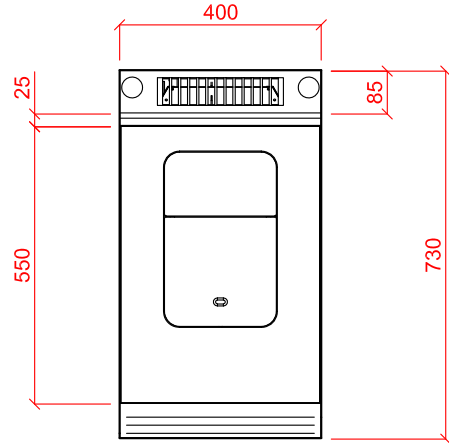
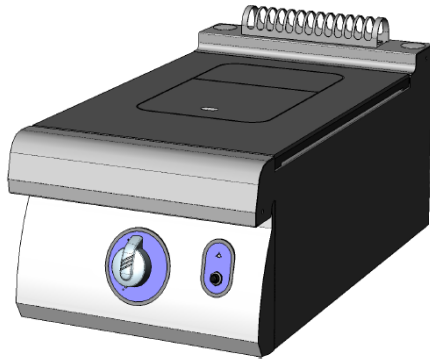


HOBART UK,  
SOUTHGATE WAY,  
ORTON SOUTHGATE,  
PETERBOROUGH  
PE2 6GN

TELEPHONE - 0844 888 7777  
www.hobartuk.com

700 Series - Gas Hobs

B107PG4DG-10



Device Number	Description	Gas/Electric Loading	Dimensions (m.m.) (w x d x h)
B107PG4DG-10	Single solid top gas hob (Nat Gas)	6.5kW / 0.1kW (230/50/1)	400 x 730 x 270

1/2" CONNECTION, 20mBAR

PROVIDE A 1.5 METRE FREE TAIL END CABLE.

**SPECIAL NOTE:**  
INSTALLATION MUST COMPLY WITH CURRENT GAS SAFETY REGULATIONS AND BS 6173

**PLOT SCALE: 1:15**