

**UNDERCOUNTER GLASSWASHERS
GP SERIES**

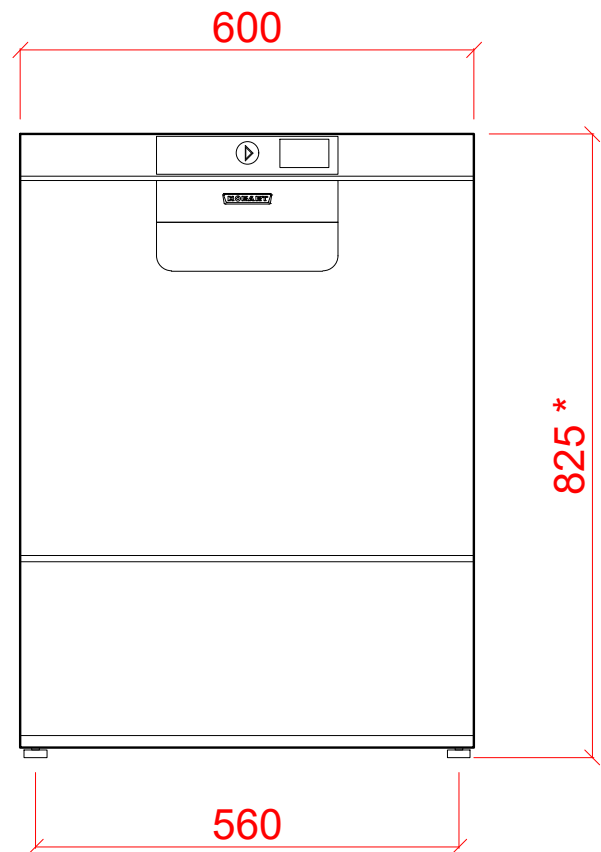
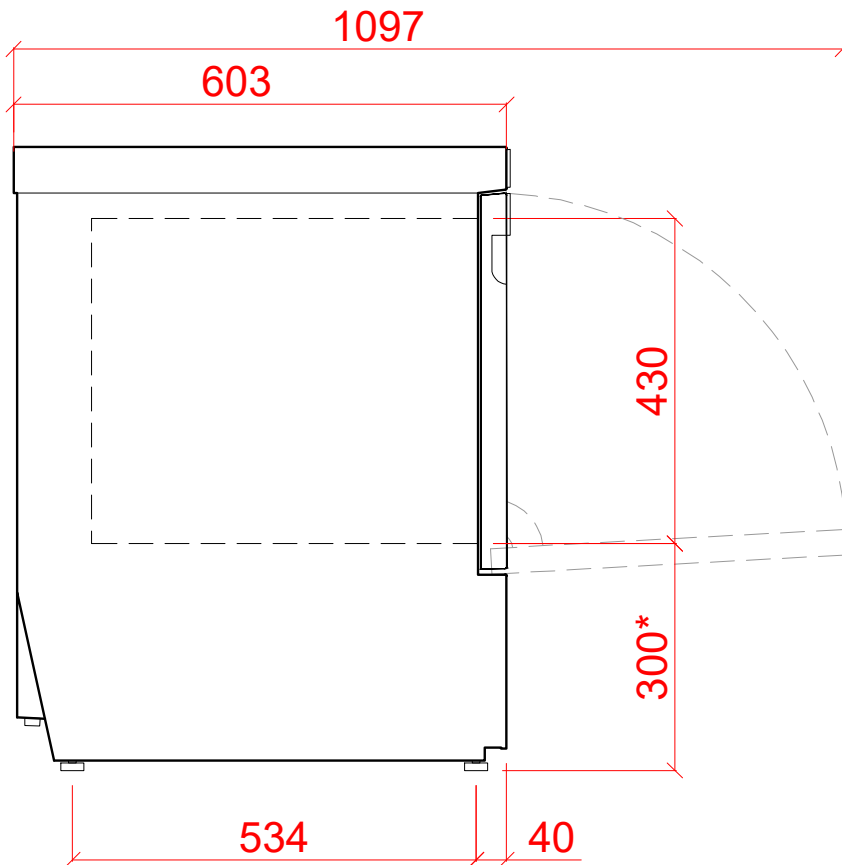
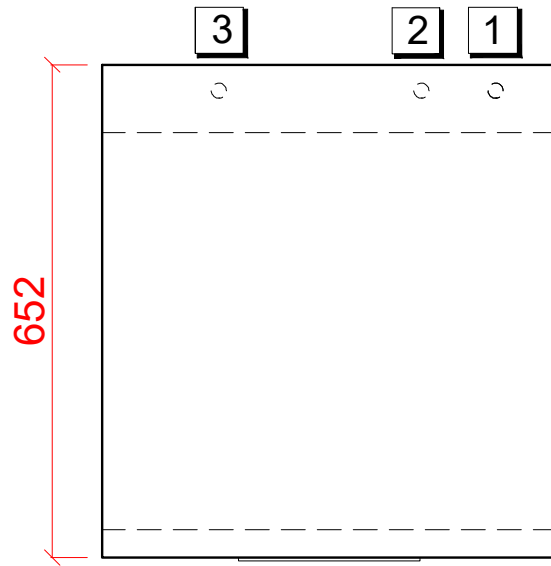


HOBART UK,
SOUTHGATE WAY,
ORTON SOUTHGATE,
PETERBOROUGH.
PE2 6GN
0844 888 7777

www.hobartuk.com

Undercounter Glasswasher with Inbuilt Softener

GPS-10C



1 Water	2 Drain	3 Electric
22mm CONNECTION VIA 2 METRE FLEXIBLE HOSE, FEMALE TERMINATION. WATER SUPPLY 10 TO 60°C (0° TO 3° CLARK MAX) @ 0.5 TO 6.0 BAR MAX. INITIAL TANK FILL 10.8 LITRES. RINSE WATER USAGE 1.8 LITRES PER CYCLE. MAX USAGE 108 LITRES PER HOUR. OUR MACHINES ARE SUPPLIED WITH CLASS 'AB' AIR GAP AS STANDARD.	DRAIN - 2 METRE FLEXIBLE HOSE TO A 40 mm TRAPPED STANDPIPE 800mm MAX A.F.F.L. FLOW RATE 30 LITRES PER MINUTE.	6.7kW 400/50/3 + N + E FUSED AT 3 x 25amps MACHINE SUPPLIED WITH 2.5 METERS OF CABLE (3 ph). CONFIGURABLE TO: 4.7kW 230/50/1 FUSED AT 25amps OR 3.7kW 230/50/1 FUSED AT 20amps (25) OR 3.3kW 230/50/1 FUSED AT 16amps (25)
	Other Services	Notes
	RINSE AGENT HOSE - 2.5 METRE FLEXIBLE. DETERGENT HOSE - 2.5 METRE FLEXIBLE.	APPROX WEIGHTS: EMPTY: 65kg's WITH WATER: 87kg's *± + 40mm

PLOT SCALE: 1:10

RIGHT TO MAKE NECESSARY CHANGES IS RESERVED