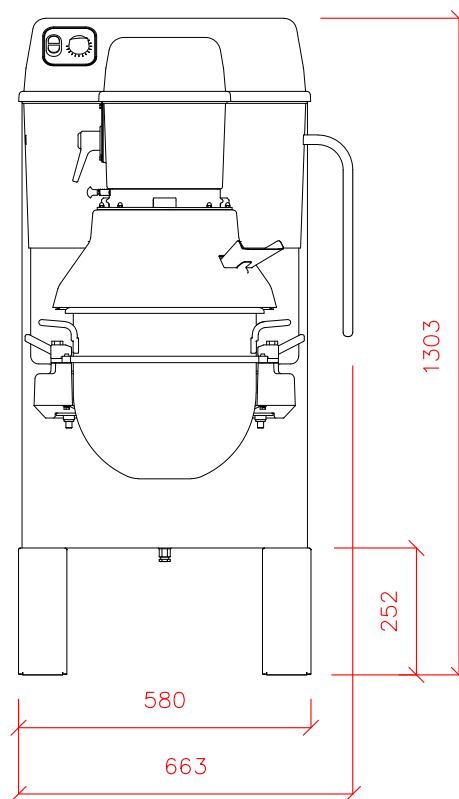
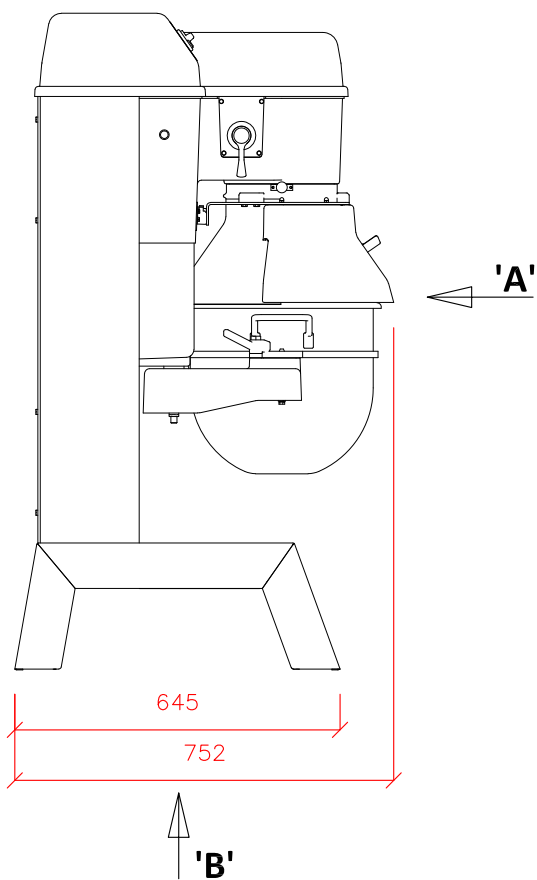
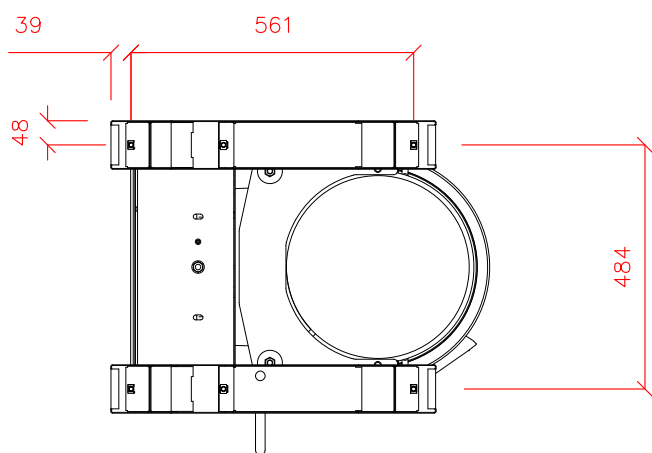


30 Litre Floor Standing Mixer

H300SN-2351-SS



View on 'A'



View on 'B'



1 Electric

1.1kW - 230/50/1 Recommended to be fused at 25amps

2 Weight

Mixer weight including agitator and bowl (empty) - 204kg
Shipping weight (on wooden pallet) - 222kg

PLOT SCALE: 1:15

RIGHT TO MAKE NECESSARY CHANGES IS RESERVED