

# UTENSIL WASHERS UP SERIES

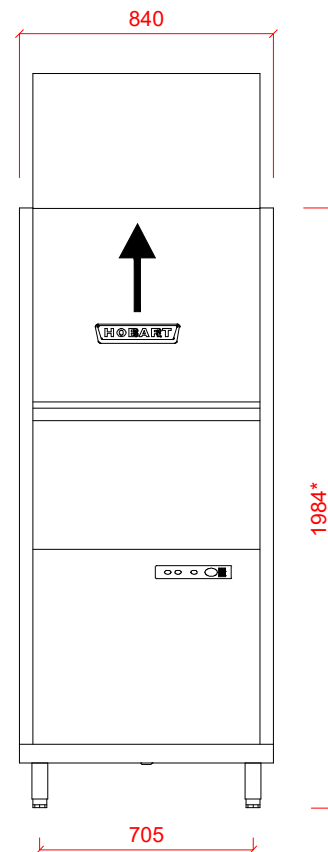
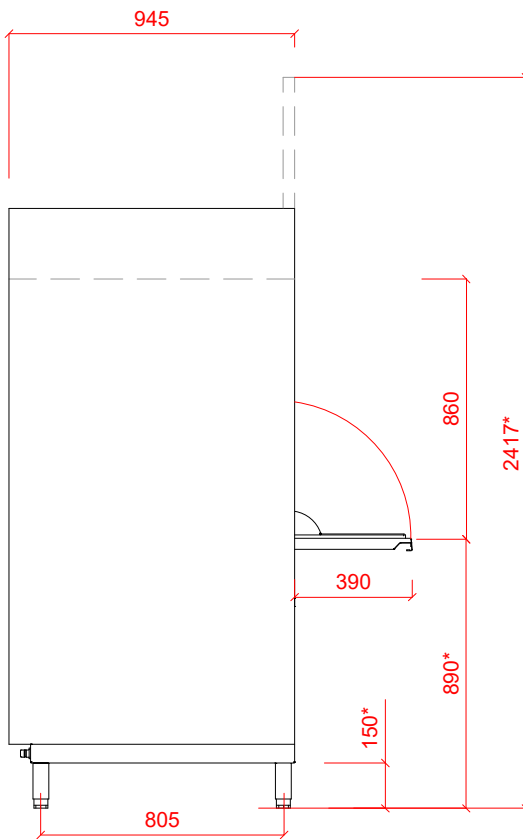
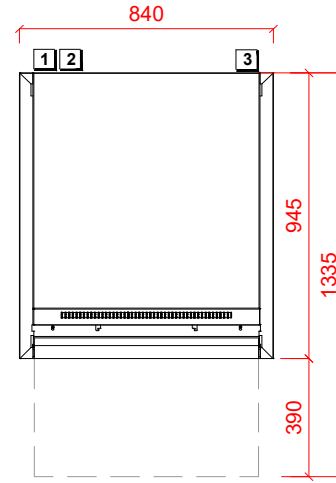
# HOBART

HOBART UK,  
SOUTHGATE WAY,  
ORTON SOUTHGATE,  
PETERBOROUGH.  
PE2 6GN  
0844 888 7777

www.hobartuk.com

## Front Loading Utensil Washer

## UP-10B



### 1 Water

2 x 22mm CONNECTIONS EACH VIA 1.5 METRE FLEXIBLE HOSE, FEMALE TERMINATION.  
1 x WATER SUPPLY UP TO 65°C @ 0.5 TO 10 BAR MAX. INITIAL TANK FILL 80 LITRES.

1 x WATER SUPPLY UP TO 15°C RINSE WATER USAGE 8.0 LITRES PER MAX USAGE 240 LITRES PER HOUR.

OUR MACHINES ARE SUPPLIED WITH CLASS 'AB' AIR GAP AS STANDARD. WATER SUPPLY TO HAVE INDEPENDENT ISOLATING VALVE.

### 2 Drain

DRAIN - 2 METRE FLEXIBLE HOSE TO A 40 mm TRAPPED STANDPIPE 800mm MAX A.F.F.L.

FLOW RATE 30 LITRES PER MINUTE.

### Other Services

RINSE AGENT HOSE - 2.5 METRE FLEXIBLE.  
DETERGENT HOSE - 2.5 METRE FLEXIBLE.

### 3 Electric

18.0kW 400/50/3 FUSED AT 3 x 32amps.

Configurable to:  
15.3kW 400/50/3 Fused At 3 x 25amps.  
21.3kW 400/50/3 Fused at 3 x 35amps.

MACHINE SUPPLIED WITH 1.8 METRES OF CABLE

### Notes

APPROX WEIGHTS:  
EMPTY: 205kg's  
HEIGHTS MARKED \* REPRESENT ±25mm

**PLOT SCALE: 1:25**

RIGHT TO MAKE NECESSARY CHANGES IS RESERVED